

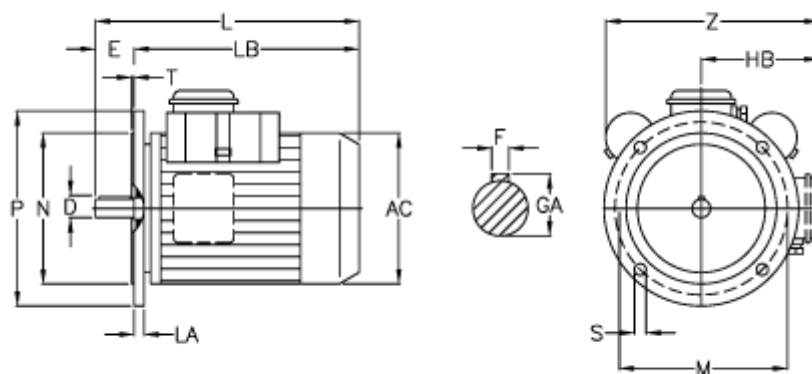
# Data Sheet



Article number: 25055264002

Description: ICME Single-phase motor MD71 B2 0,55KW  
2 - 2800 rpm 1x230 Volt 50Hz B5 with starting & running capacitor

## Measures



|           |          |
|-----------|----------|
| AC = 137  | LB = 238 |
| D = 14    | M = 130  |
| E = 30    | N = 110  |
| F = 5     | P = 160  |
| GA = 16.0 | S = 9.5  |
| HB = 107  | T = 3.5  |
| L = 268   | Z = 210  |
| LA = 10.0 |          |